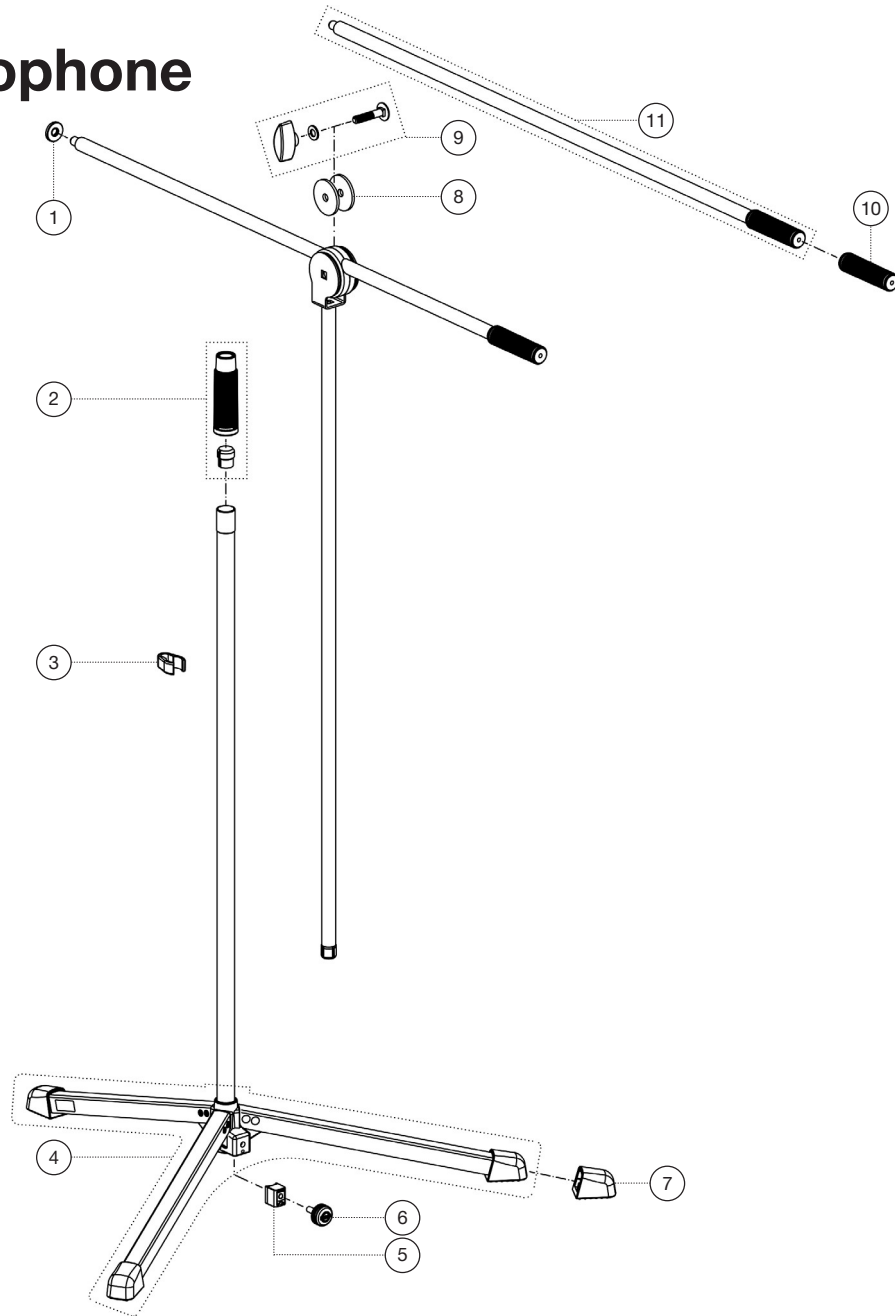


Spare parts list

25400 Microphone stand

25400-300-55 - black

*Rev 03



Position	Description	Article No.	Quantity
1	Aluminum knurled washer	03-31-550-15	1
2	Clutch with tension ring	3-00-000-037	1
3	Cable holder ø 20 mm	01-85-970-55	1
4	Base complete	6-25400-2-55	1
5	Clamping piece with pin R 10 complete	6-86642-1-55	1
6	Knurled screw with logo M6 x 22 mm	01-82-838-55	1
7	End cap	01-84-875-55	3
8	Rubber washer	03-21-161-55	2
9	Screw connection boom arm	3-00-000-090	1
10	Boom arm sleeve	01-95-845-55	1
11	Extension tube with Boom arm sleeve and threaded bolt	6-21020-2-55	1