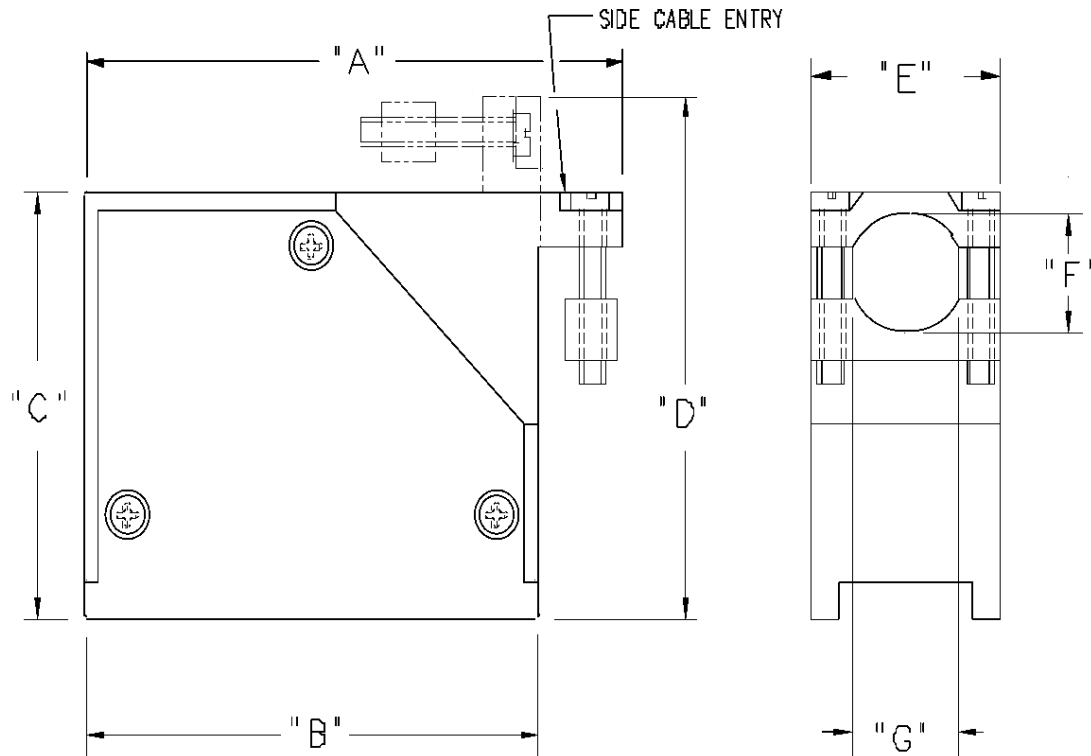


EDAC metal cover dimensions



Canford #	Product	Dimensions						
		"A"	"B"	"C"	"D"	"E"	"F"	"G"
47-209	EDAC 20 Metal cover	39.09	33.66	23.01	28.45	17.42	11.33	12.45
47-389	EDAC 38 Metal cover	56.03	50.95	39.78	44.86	22.23	18.29	14.61
47-569	EDAC 56 Metal cover	71.17	66.09	39.78	44.86	22.23	18.29	14.61
47-909	EDAC 90 Metal cover	79.20	69.04	45.09	55.25	31.34	22.35	22.86
47-129	EDAC 120 Metal cover	80.65	69.85	51.31	62.10	38.89	22.61	27.43