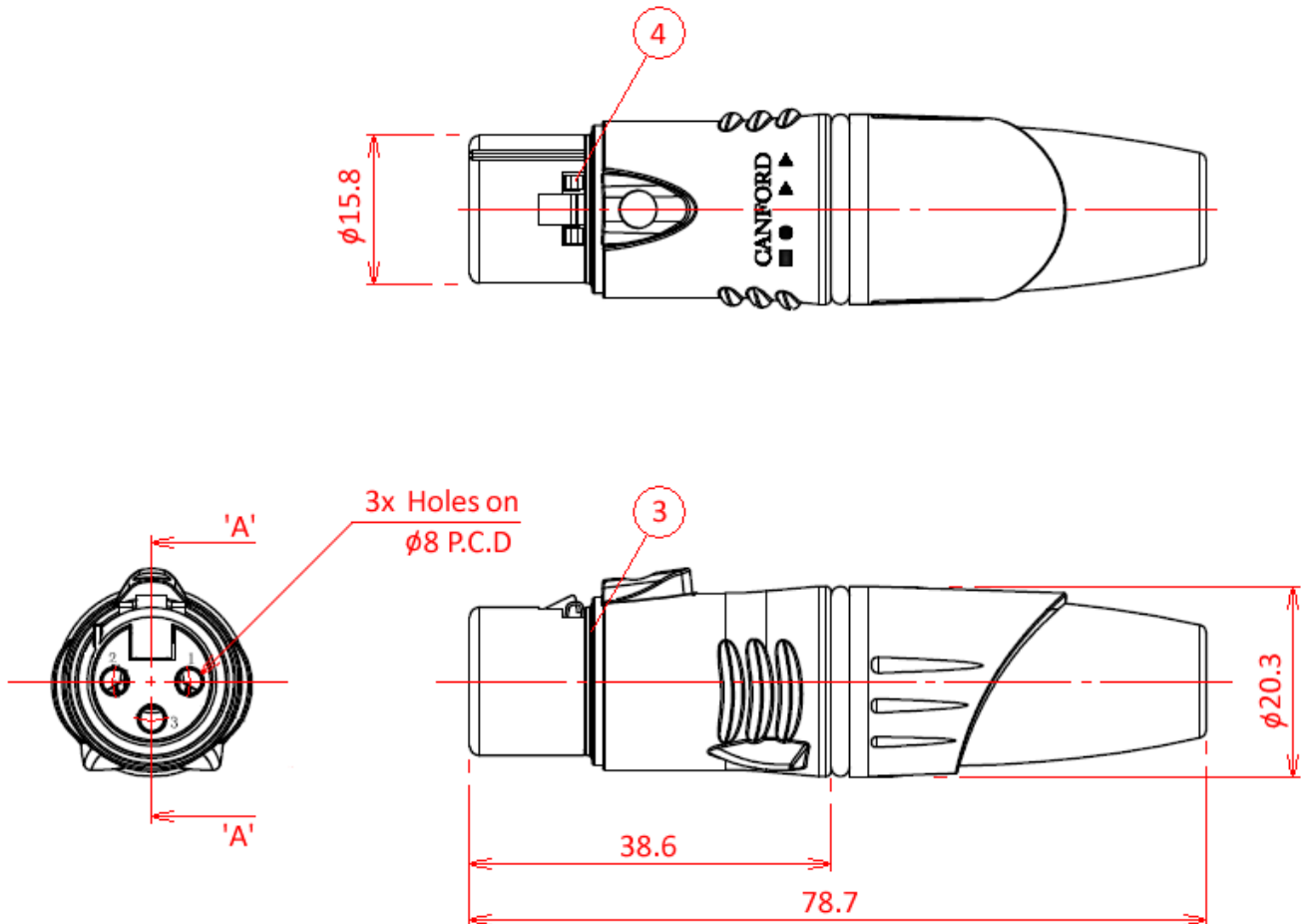


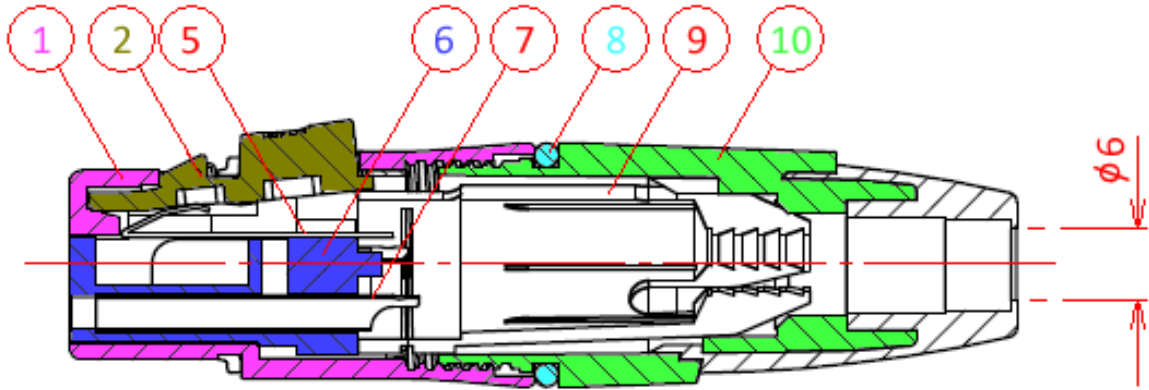
41-9311 CANFORD XLR3FC XLR Female cable connector 3 pin



Canford XLR female cable connector featuring nickel-plated zinc diecast shells, silver-plated contacts and a triple position strain relief design. Features a reliable locking system for firm mating, ease of use and long service. Suitable for cable's types with outer diameters of 5.0 to 6.8mm as standard, smaller 3.3 to 4.8mm cables are accommodated by removing a washer, (item 8 in the diagram). Larger 7.0 to 8.0mm cables can be accommodated by removing the supplied standard white cable clamp and using a black cable gland which is an additional purchase.



Section A-A on page two of this document
Third Angle Projection
All dims in mm
Not to scale



SECTION 'A-A'

Item	Description	Material	Finish
1	Die Cast Shell	ZZnAL4-1 (Zinc Alloy)	Nickel
2	Push Button	ZZnAL4-1 (Zinc Alloy)	Nickel
3	Ring/Seal	Silicon	Black
4	Fixed Sheet	Stainless Steel (retainer for item 2)	Nickel
5	Latch/Shell Ground	Stainless Steel (spring for item 2)	Tin
6	Insulator	PA (Nylon)	Black
7	Pin Receptacle	Phosphor Bronze	Silver
8	O-Ring/Washer	Silicon	Black
9	Cable Clamp	POM (Polyoxymethylene)	White
10	Cap & Cable Boot	PA6 & TPR (Nylon & Thermoplastic Rubber)	Black & Grey